

## 34E Series - Endless Design Double Duty - Fish and Poultry



Model No.	Description	Length	Depth	Height	Voltage	Amps	HP/BTUs	Power Cord	Est. Ship Weight
<b>SC-CFS34E-4-LED</b>	Self Contained	52.5"	36.5"	53.5"	115	12.0	1/4	YES	530
<b>SC-CFS34E-6-LED</b>	Self Contained	76.5"	34.5"	53.5"	115	12.0	1/4	YES	741
<b>SC-CFS34E-8-LED</b>	Self Contained	100.5"	34.5"	53.5"	115	16.0	1/3	YES	897
<b>SC-CFS34E-10-LED</b>	Self Contained	124.5"	34.5"	53.5"	115	9.9	1/3	NO	1150
<b>SC-CFS34E-12-LED</b>	Self Contained	148.5"	34.5"	53.5"	115	13.8	1/2	NO	1414
<b>R-CFS34E-4-LED</b>	Remote	52.5"	34.5"	53.5"	115	.8	820	NO	497
<b>R-CFS34E-6-LED</b>	Remote	76.5"	34.5"	53.5"	115	1.3	1230	NO	693
<b>R-CFS34E-8-LED</b>	Remote	100.5"	34.5"	53.5"	115	1.6	1640	NO	832
<b>R-CFS34E-10-LED</b>	Remote	124.5"	34.5"	53.5"	115	2.4	2050	NO	1089
<b>R-CFS34E-12-LED</b>	Remote	148.5"	34.5"	53.5"	115	2.4	2460	NO	1359

MODEL NUMBER PREFIX - SC = Self Contained R = Remote  
 MODEL NUMBER SUFFIX - W = White B = Black S = Stainless Steel LED = LED lighting  
 • Cases are designed to operate at 75 degrees Fahrenheit and 55% relative humidity  
 • Cases are equipped with drains; check your local building codes for connection requirements.  
 • Specification subject to change without notice  
 IF COLORS ARE MIXED AN ADDITIONAL CHARGE WILL APPLY



## 34E Series - Endless Design Double Duty - Fish and Poultry

### Standard Specifications and Optional Features

#### CONSTRUCTION

- UL Classified to ANSI/NSF 7
- Foamed in place CFC free foam
- Thermal insulated front glass - 28" H
- Heavy gauge steel super structure
- Bottom storage
- Endless design allows for continuous line up
- Drain is included for cleaning

#### INTERIOR

- White, black, and stainless steel ends
- White aluminum floor (bottom storage area)
- Air insulated baffle (prevents moisture from dripping into display area)
- Stainless steel individual ice pans

#### EXTERIOR

- Double pane rear removable doors
- Newly designed rear compression door jamb
- Removable front grille allows for cleaning
- Removable rear grille for easy servicing
- 2 - 1/4" removeable end panels
- 1" Front bumper

#### FINISHES

- White, black, and stainless steel front and ends
- Stainless steel mirror trim
- Stainless steel heavy gauge top - 19 - 1/2" W
- Rear of unit is stainless steel brush finish at top
- Bottom rear is designer white or glossy black

#### LIGHTING

- 2 rows of lighting at top of unit

#### ELECTRICAL REQUIREMENTS

- 115V, 4', 6', AND 8' with power cord
- Unit must be hard wired, 10' and 12' ONLY
- UL/CUL listed
- 115V-12AMP general purpose receptacle (wired separately) 10' and 12' ONLY

#### REFRIGERATION

- Copevap system (eliminates need for condensate pan)
- R513A expansion valve system
- Gravity coil located at inside top of unit
- Self contained unit
- Automatic defrost electronically controlled (self contained units only)
- Electronically maintains constant temperatures
- Remotes available

#### OPTIONS

- Scale stand
- Paper cutter
- Stainless steel, laminate, or paint
- Mirrored doors
- Stainless steel mezzanine shelf
- Drop work shelf
- 2" Front bumper
- Door lock
- Digital thermometer
- Pass thru front doors 4', 6', 8', only

#### **Important Note:**

**All refrigerated cases are designed to operate in an environment of 75 degrees and 55% relative humidity.**

**Product must be cooled before being displayed within the case.**

**DRAIN IS REQUIRED**

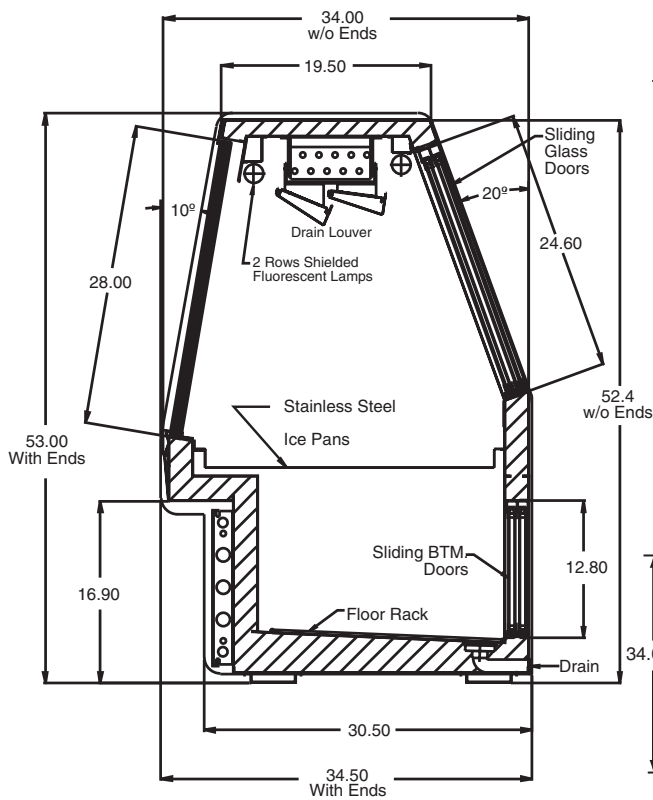
## 34E Series - Endless Design Double Duty - Fish and Poultry

### Technical Data

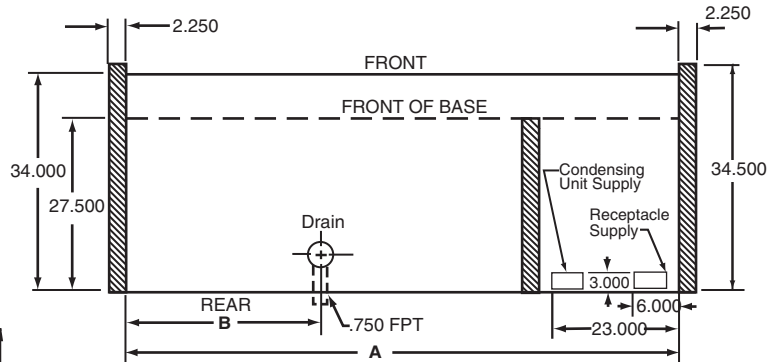
Model No.	SC R	SC-CFS34E-4-LED SC-CFS34E-4-LED	SC-CFS34E-6-LED SC-CFS34E-6-LED	SC-CFS34E-8-LED SC-CFS34E-8-LED	SC-CFS34E-10-LED SC-CFS34E-10-LED	SC-CFS34E-12-LED SC-CFS34E-12-LED
Length with (2) ends		52.5"	76.5"	100.5"	124.5"	148.5"
Length without ends		48"	72"	96"	120"	144"
Height with ends		53.5"	53.5"	53.5"	53.5"	53.5"
Height without ends		53"	53"	53"	53"	53"
Depth with ends		36.5"	34.5"	34.5"	34.5"	34.5"
Depth without ends		36"	34"	34"	34"	34"
Endless design		YES	YES	YES	YES	YES
(Dimensions are +/- 1/4")						
Operating temperature		38°F to 40°F	38°F to 40°F	38°F to 40°F	38°F to 40°F	38°F to 40°F
Refrigerant (exp. valve)	SC	R513A	R513A	R513A	R513A	R513A
Refrigerant (exp. valve)	R	R407A	R407A	R407A	R407A	R407A
Compressor size HP	SC	1/4	1/4	1/3	1/3	1/2
Defrost per day (24 hours)	Air Defrost	1 per day	1 per day	1 per day	1 per day	1 per day
BTU's at +20°F Evap Temp	R	820	1230	1640	2050	2460
Voltage	SC	115	115	115	115	115
Amperage	SC	12.0	12.0	16.0	9.9	13.8
Remote Voltage	R	115	115	115	115	115
Amperage, lights only	R	.8	1.3	1.6	2.4	2.4
Cord and plug	SC	YES	YES	YES	NO	NO
	R	NO	NO	NO	NO	NO
Exterior color		W, B, S	W, B, S	W, B, S	W, B, S	W, B, S
Interior color		W, B, S	W, B, S	W, B, S	W, B, S	W, B, S
Inside end panels		W, B, S	W, B, S	W, B, S	W, B, S	W, B, S
Floors		W, B, S	W, B, S	W, B, S	W, B, S	W, B, S
Drain required		Copevap	Copevap	Copevap	Copevap	Copevap
# of top doors		2	2	4	4	4
Door size		20.8" x 23.5"	31.3" x 23.5"	20.8" x 23.5"	26.0" x 23.5"	31.3" x 23.5"
# of coils		1	1	1	1	1
Bottom storage		YES	YES	YES	YES	YES
Front glass		28" x 46.6875"	28" x 70.6875"	28" x 94.6875"	28" x 118.6875"	28" x 142.6875"
Cubic capacity		30	45	60	75	90
Mezzanine - shelf		Optional	Optional	Optional	Optional	Optional
# of ice pans		2	3	4	5	6
Shipping Info						
Height		58"	58"	58"	58"	58"
Depth		44"	44"	44"	44"	44"
Length		61"	87"	109"	135"	157"
Gross weight SC/R		530/497	741/693	897/832	1150/1089	1414/1359
Cubic feet		89	128	164	199	231

## 34E Series - Endless Design Double Duty - Fish and Poultry

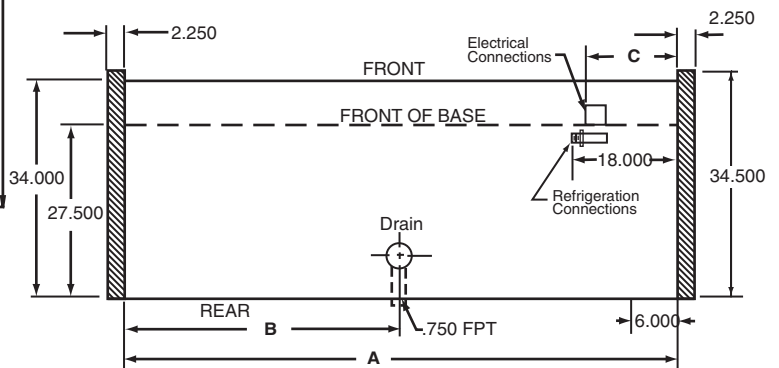
### Technical Data • Side View • Plan View



Cross Section



MODEL NO.	A	B
S/C-34E-4	48"	12"
S/C-34E-6	72"	24"
S/C-34E-8	96"	36"
S/C-34E-10	120"	48"
S/C-34E-12	144"	60"



MODEL NO.	A	B	C
R-34E-4	48"	24"	4"
R-34E-6	72"	36"	4"
R-34E-8	96"	48"	52"
R-34E-10	120"	60"	52"
R-34E-12	144"	72"	76"

Plan Views